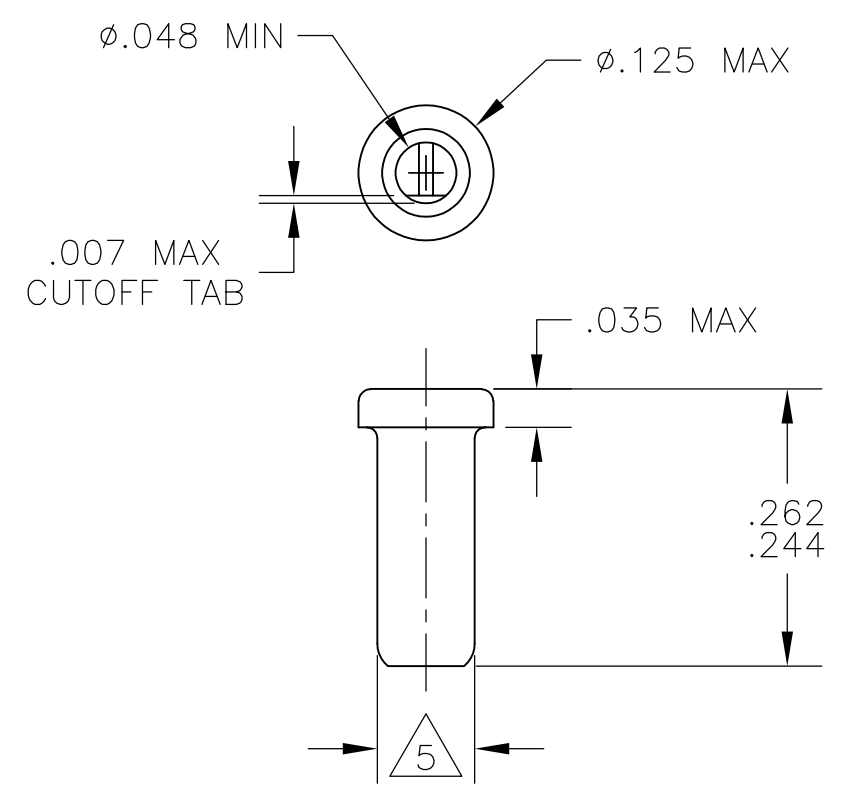


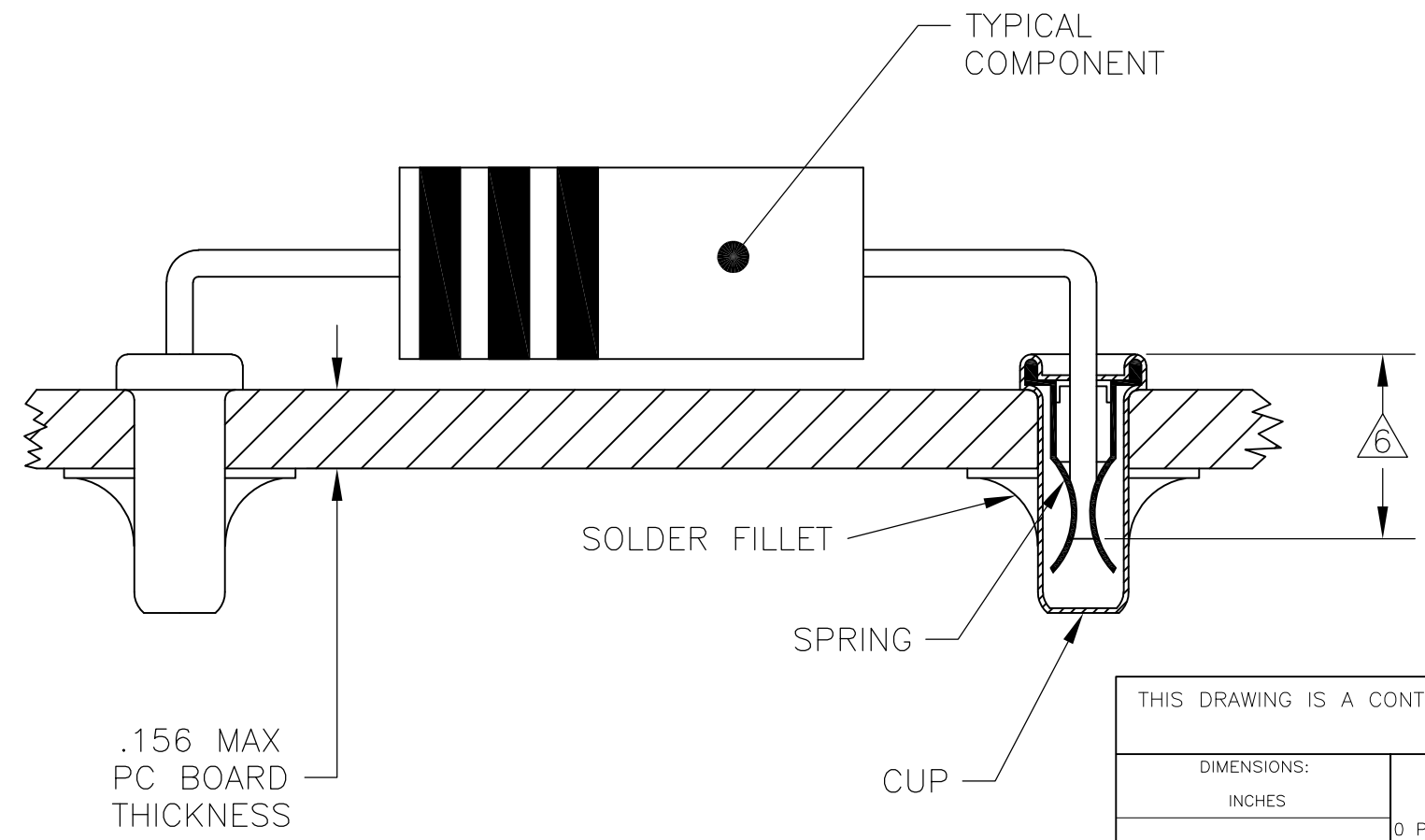
THIS DRAWING IS UNPUBLISHED. RELEASED FOR PUBLICATION
 © COPYRIGHT - By - ALL RIGHTS RESERVED.

LOC	DIST	REVISIONS			
P	LTR	DESCRIPTION	DATE	DWN	APVD
AG	67	A1	REVISED PER ECO-11-004835	11MAR11	RK HMR



- 1 MATERIALS:
CUP: COPPER PER ASTM B 152
SPRING: BERYLLIUM COPPER PER ASTM B 194
- 2 TIN PLATE PER ASTM B 545 .000080 MIN THICK.
- 3 GOLD PLATE PER ASTM B 488 .000030 MIN THICK OVER NICKEL PLATE PER QQ-N-290 IN CONTACT AREA.
- 4 TIN PLATE PER ASTM B 545 .000100 MIN THICK.
- 5 PART FITS INTO A #43 DRILLED HOLE ($\phi.0890 \pm .0015$) FOR HAND INSERTION, AND A #44 DRILLED HOLE ($\phi.0860 \pm .0015$) FOR MACHINE INSERTION.
- 6 .145 MIN INSERTION DEPTH REQUIRED FOR A RELIABLE CONNECTION.
- 7. SPRING TO BE SECURED IN CUP WITH NO SPRING ROTATION PERMISSIBLE.
- 8. LEAD RANGES AND PERFORMANCE RESULTS:

LEAD RANGES (DIA)	.018-.020	.025-.032	.035-.040
MAX INSERTION FORCE (OZ)	17	37	48
MIN EXTRACTION FORCE (OZ)	1.0	1.5	2.0
MILLIVOLT DROP (mV MAX)	2.00	1.75	1.50



TIN 4	TIN 2	5380598-3
	GOLD 3	5380598-2
CUP	SPRING	PART NO.
PLATING		

THIS DRAWING IS A CONTROLLED DOCUMENT.

DIMENSIONS: INCHES	TOLERANCES UNLESS OTHERWISE SPECIFIED:	DWN J. HAVENER 18OCT2005	STE TE Connectivity	
	0 PLC ± - 1 PLC ± - 2 PLC ± - 3 PLC ± .015 4 PLC ANGLES ± - ± 1°	CHK J. HAVENER 18OCT2005		
MATERIAL 1	FINISH SEE TABLE	APVD J. HAVENER 18OCT2005	NAME REUSABLE COMPONENT RECEPTACLE	
		PRODUCT SPEC 108-1079	SIZE A3	CAGE CODE 00779
		APPLICATION SPEC 114-1055	DRAWING NO C-5380598	RESTRICTED TO -
		WEIGHT -	SCALE NTS SHEET 1 OF 1 REV A1	
CUSTOMER DRAWING				